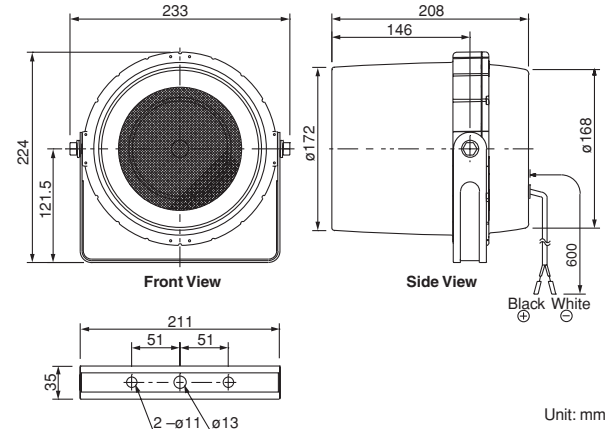


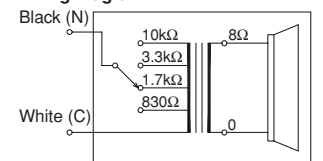
CS-64 Wide Range Speaker



APPEARANCE AND DIMENSIONAL DIAGRAM



Wiring Diagram



(Transformer connection when the speaker is supplied from the factory)

DESCRIPTION

TOA's CS-64 speaker is for outdoor-use, equipped with wide-range horns that can provide background music or paging announcements which have high quality sound. It is designed to produce high output with an increase of the speaker acoustic conversion efficiency, by the use of a horn in combination with a cone speaker. The CS-64 employs an exponential horn, realizing uniform and clear sound dispersion over a wide area. The wide-range speaker is also designed to stand up to the rigorous weather conditions when installed outdoors*. The ABS resin enclosure is light in weight, structurally strong and resistant to impacts. Since the enclosures are also treated with weatherproof polyurethane resin paint, it is extremely resistant to the effects of ultraviolet light. In addition, the internal speaker parts feature a special weatherproof treatment to enhance the waterproof properties of the entire speaker. Stainless-steel brackets and screws further protect the unit from rust and corrosion. Speaker impedance can be easily changed externally with a rotary switch (6W/3W/1W (100V line) and 6W/3W/1.5W/0.5W (70V line)), facilitating changes in impedance during and after speaker installation.

FEATURES

- Wide-range paging speaker for voice paging, background music and tone signaling distribution.
- Exponential horn improves directivity characteristics and ensure uniform and clear sound dispersion.
- Weatherproof polyurethane resin paint permits the speaker to withstand demanding environmental conditions.*
- Lightweight ABS resin enclosure that is mechanically strong and resistant to impact.
- Stainless steel hardware protects the speaker from corrosion.
- Stainless steel mounting bracket for easy installation and aiming in wall, pole or ceiling-mount applications.
- Ideal for schools, parking facilities, boats, industrial, parks, swimming pools, and so on.

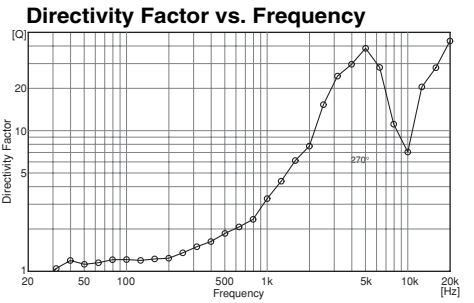
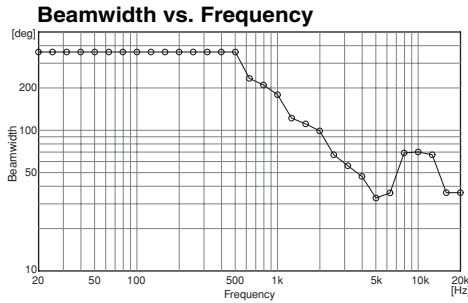
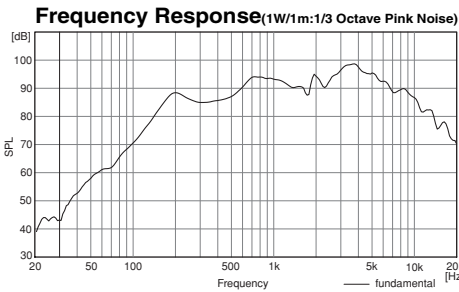
SPECIFICATIONS

Rated Input:	6W
Rated Impedance:	100V line: 1.7kΩ (6W), 3.3kΩ (3W), 10kΩ (1W) 70V line: 830Ω (6W), 1.7kΩ (3W), 3.3kΩ (1.5W), 10kΩ (0.5W)
Sensitivity (1W, 1m):	96dB
Frequency Response:	130 – 13,000Hz
Speaker Component:	12cm (4.72") cone-type (treated for splash proof)
Speaker Cord:	2-core cabtyre cord with diameter of 6mm (0.24")
Temperature Range:	-20°C to +55°C (-4° F to 131° F)
Finish:	Horn, cover: ABS resin, off-white, paint Bracket: Stainless steel Punched net: Surface-treated steel plate, dark-gray, powder coating Screw: Stainless steel
Dimensions:	233 (W) × 224 (H) × 208 (D) mm (9.17" × 8.82" × 8.19")
Weight:	1.5kg (3.31 lb)

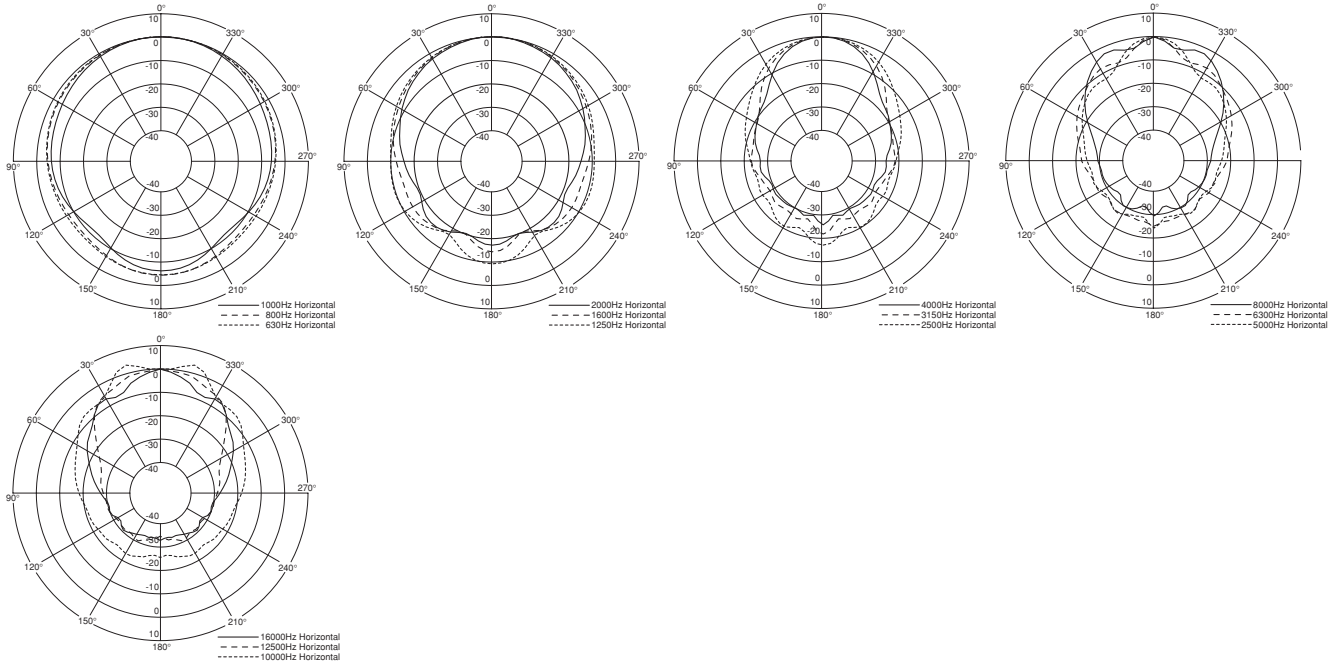
* Do not install the speaker face-up from a horizontal plane nor in such a way that the paper cone is exposed to direct sunlight. If water accumulates on the paper cone, or ultraviolet rays are radiated on it, this may cause the paper cone to deteriorate, leading to speaker malfunction.



CHARACTERISTIC DIAGRAMS



Polar Response



ARCHITECTURAL AND ENGINEERING SPECIFICATIONS

The speaker shall be a wide-range weatherproof horn speaker suitable for paging, background music and tone signaling distribution. The speaker component shall be a 12 cm (4.72") cone-type speaker, treated for weather-resistance (equivalent to IEC IPX4). Rated input shall be 6 W. The speaker shall include a transformer having multiple taps (1W, 3W, 6W at 100 V and 0.5W, 1.5W, 3W, 6W at 70V). The sensitivity at a distance of 1m with a 1W input level applied shall be 96 dB. The speaker shall have a frequency response of 130 – 13 kHz. Horizontal and vertical dispersion at –6 dB below the on-axis reference at 2 kHz shall be 100° (H) x 100° (V).

The speaker enclosure shall be constructed of ABS resin coated with polyurethane resin paint to resist long-term exposure to ultraviolet light. The grille shall be constructed of surface-treated steel plate net, dark-gray paint. The speaker shall be available in off-white color. All mounting hardware, including screws and bolts, shall be stainless steel, which protects the speaker from corrosion. The horn speaker shall include an integral speaker cable, 2-core cabtyre cord with diameter of 6 mm (0.24") diameter. Dimensions shall be 233(W) x 224(H) x 208(D) mm (9.17" x 8.82" x 8.19"). Weight shall be 1.5 kg (3.31 lb.).

The wide-range weatherproof horn speaker shall be TOA model CS-64.