

acm 15H350

General Description and Applications:

The  acmaudio 15H350 features a molded polypropylene enclosure that is inherently weather resistant.

ACM audio used advanced program techniques to create the most successful and influential professional speaker system. High power, efficiency, lower distortion and great low frequency extension provide an unbelievable performance.



15H350 can be used for live sound reinforcement, vocals, speech and music playback in entertainment, schools, pub, coffee shop and outdoor venues. Portability is one of the important factors for choice especially.



For permanent suspension or attaching brackets, the 15H350 also has two M8 inserts on the top and bottom, two on the side, for a total of 5.

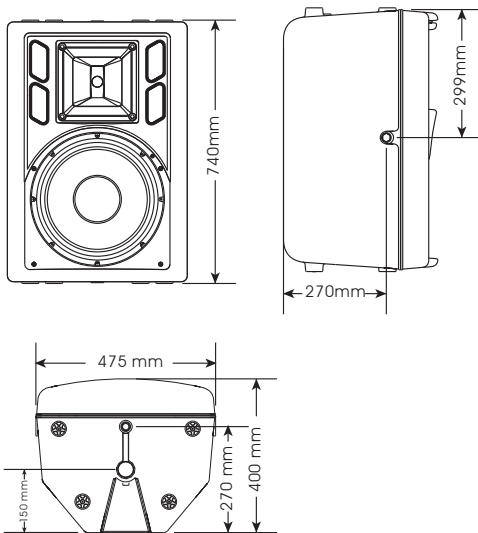


15H350

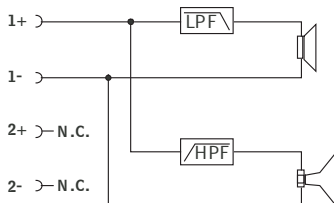
Portable Speaker System



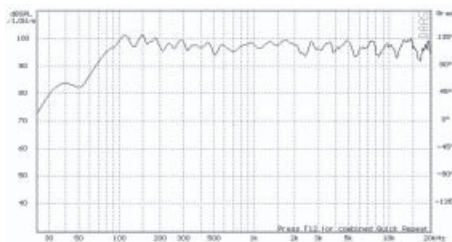
Dimension Drawings



Block Diagram



Frequency Response



Key Features:

High Impact Molded Polypropylene Enclosure

15L350-81 15 LF Transducer

1.75" Voice Coil, 1" Exit Titanium Compression Driver

80° x 60° Coverage Pattern

Smooth Response With High Power Handling Capacity (Continuous Program/RMS), 1400W/350W

5 Integral Suspension Points

Complete Mounting Solutions

Technical Specification:

Freq. Range (-10dB):	40Hz~20kHz
Freq. Response (-3dB):	45Hz~18kHz
Rec. Hipass Frequency:	25Hz
Axial Sensitivity:	98dB(1W/1m)
Max Calculated SPL:	129.5dB
Horizontal Coverage:	80°
Vertical Coverage:	60°
Rated System Power:	350W Continuous 1400W Peak
LF Transducer:	15L350-81
HF Transducer:	25H44-81
Crossover Frequency:	1.7kHz
Nominal Impedance:	8 Ohms
Connector:	2 x NL4 Speakon
Dim (H x W x D):	740mm x 475mm x 400mm
Net Weight:	25Kg
Shipping Weight:	28.5Kg