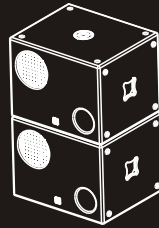
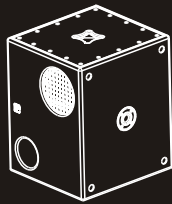
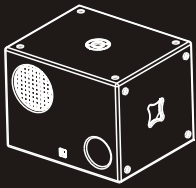




ΣB118a

PROFESSIONAL ACTIVE SUBWOOFER

User's manual



ED-B3-MA-0500511-003



Features:

- Σ B118a is the active subwoofer with 500W amplifier module, the cabinet built with high intensity materials the crossover point is adjustable from 80Hz to 250Hz and volume is adjustable. One 18" woofer, six bands pass configuration suitable for big Karaoke room, Hi room, disco etc. Can work with other ELDER speaker.

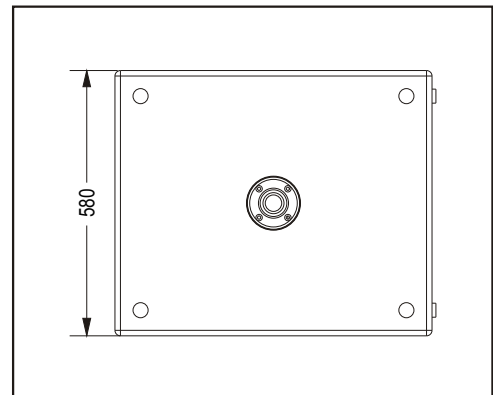
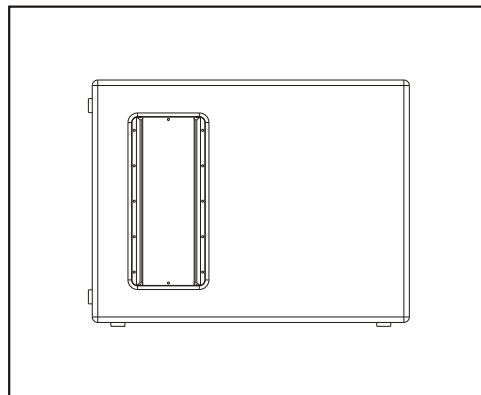
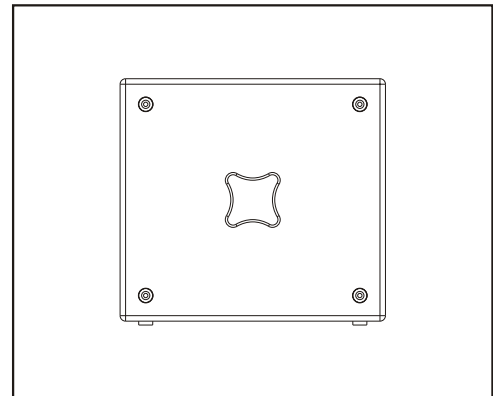
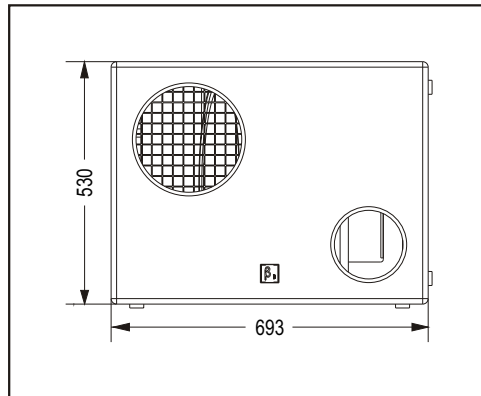
- Band pass active subwoofer with big power
- One 18" woofer
- 500W long time power handling
- 100mm voice coil provides the powerful energy
- Six bands LF structure under computer simulating design make LF very powerful
- Composite chamber for amplifier module, effective heat-sink configuration
- Adjustable crossover point with reversed phase switch, suitable for all kinds of full range speakers
- Perfect built-in protection circuit, high reliability



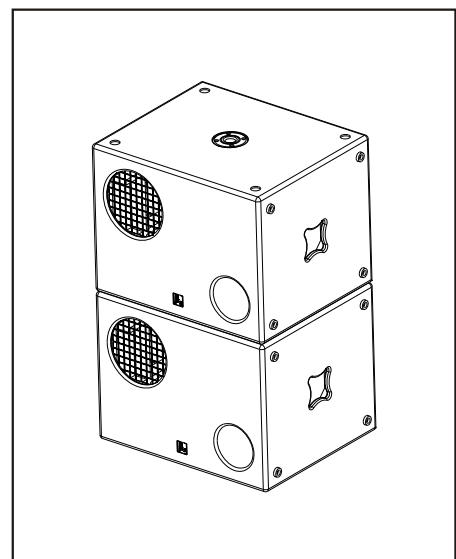
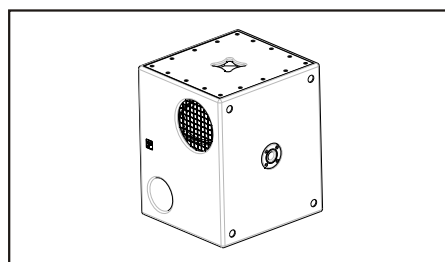
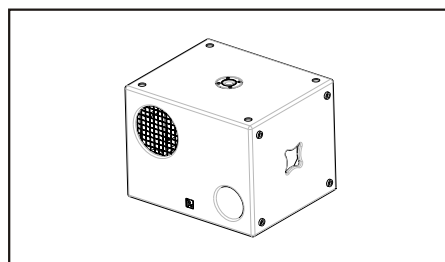
Specifications:

Frequency Response(-3dB):	35Hz-250Hz
Max SPL(1m):	133dB
Rated Power:	500W
THD:	<2%
Input Connectors:	XLR K3P
Net Weight(1Pcs):	45Kg
Gross Weight:	50Kg
Dimensions (W×D×H):	693×580×530mm
Packaging Dimensions 1pcs/pack(W×D×H):	803×690×650mm

Cabinet Dimension:



Installation drawing:



ΣB118a
PROFESSIONAL ACTIVE SUBWOOFER