

Features:

- Two-way passive speaker with one 8" woofer and one 1.5" driver.
- Cabinet is made from polypropylene and special high-tech material in large injection mold. It's durable, anti-shock and has good damping characters.
- Voice coil in the 8" woofer is made from \varnothing 50mm copper cladding aluminium ribbon wire.
- Heavy duty protective grille.
- The high frequency driver is protected by special design circuit to avoid being damaged when overload.
- Rotatable $90^{\circ} \times 60^{\circ}$ (HxV) dispersion horn makes it suitable for any performance purposes.
- Arrayable vertically in 4 layers or horizontally in more than 8 columns.



Beta Three



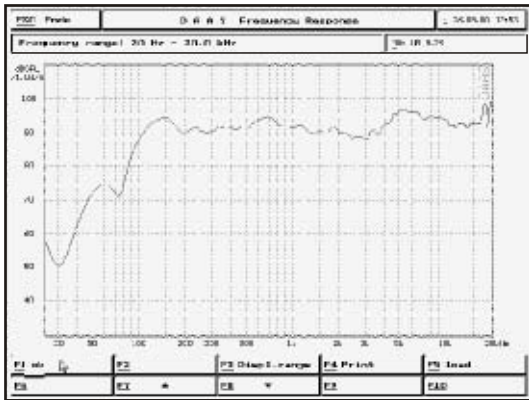
Model:U8

Technical Parameters

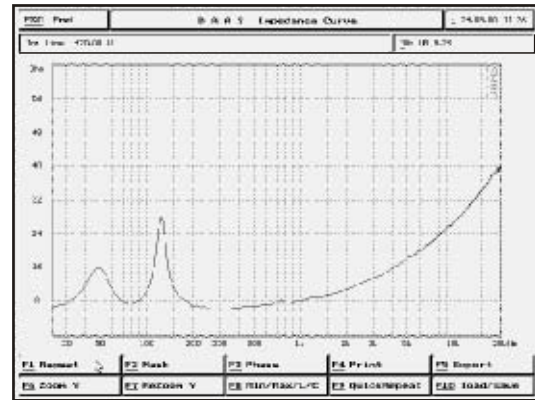
System:	Built-in Crossover Two Way Full Range Speaker
Driver Quantity:	8" x1(Bass) 1x \varnothing 34mm Driver
Frequency Response(-3dB):	65Hz-18KHz
Frequency Response(-10dB):	60Hz-20KHz
Sensitivity(dB/1M/1W):	92 dB
Impedance:	8 Ohm
Recommendatory Power(RMS/W):	100 W
Max Sound Level(dB/1M):	111dB
Tweeter Dispersion(HxV):	$90^{\circ} \times 60^{\circ}$
Harmonic Distortion:	$\leq 1\%$
Connectors:	1xNL4
Dimensions(WxDxH mm/pcs):	277X257X400mm
Packing Dimensions(WxDxH mm/pair)	595X310X460mm
Net Weight(Kg/pcs):	6.5Kg
Gross Weight(Kg/pair):	15.0Kg

PROFESSIONAL AUDIO SYSTEM

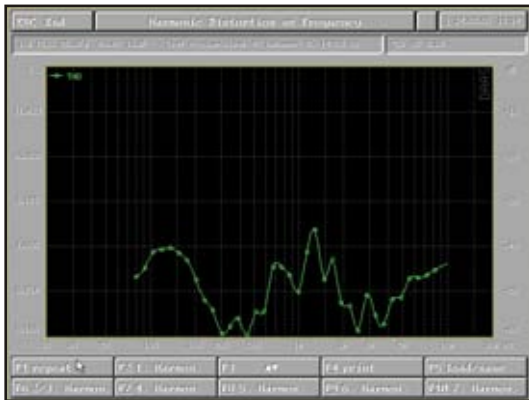
U8



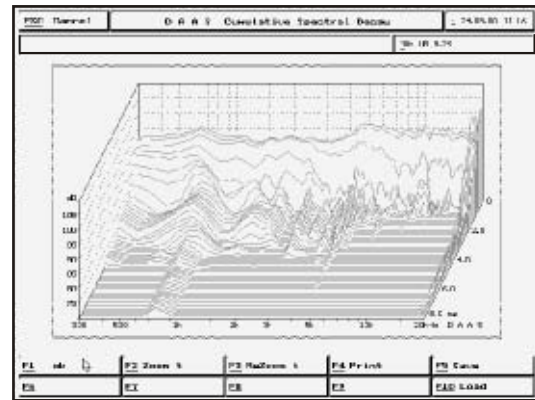
Frequency response, SPL/2.83v



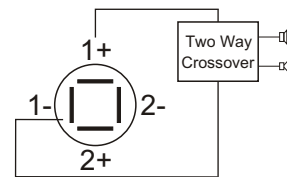
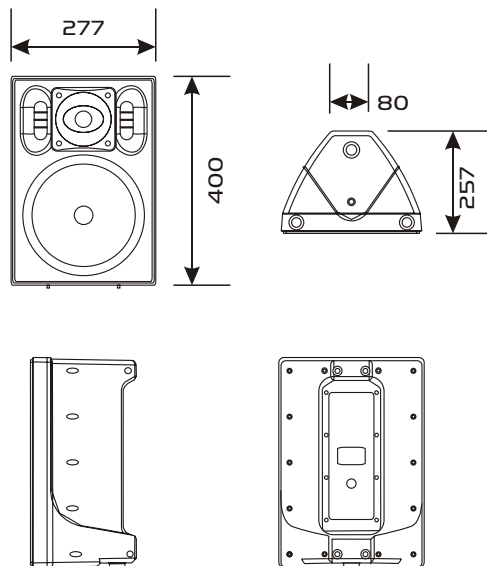
Impedance curve



Harmonic distortion 106dB/2.5m, nominal impedance



Waterfall spectrum analysis



Two Way Crossover

Cosmetic changes may be made