



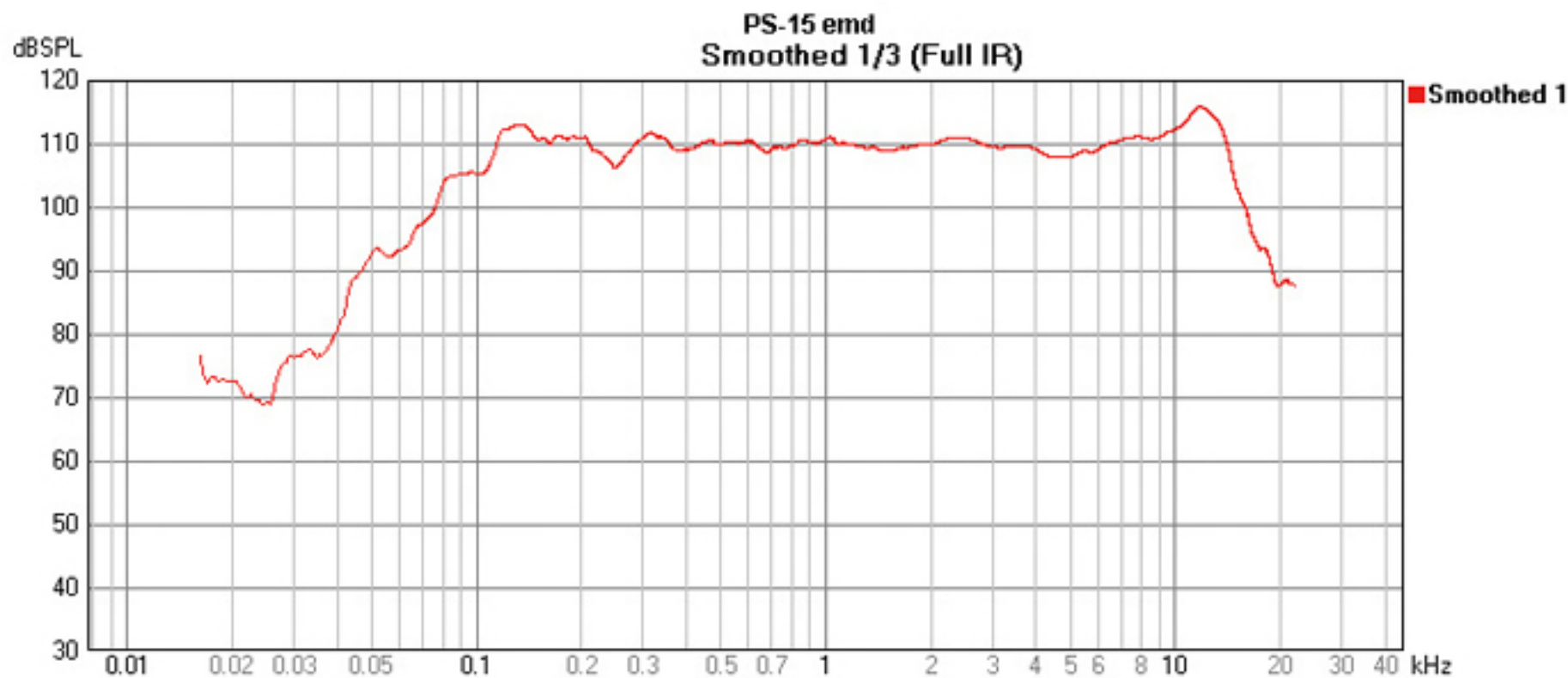
Model : 15F924

| | | |
|------------------------|--------|---------|
| Nominal diameter | inch | 15 |
| Power handing capacity | W(RMS) | 400 |
| Program power | Watts | 800 |
| Nominal impedance | Ohm | 8 |
| Sensitivity (1W/1m) | dB | 98 |
| Frequency range | Hz | 50-2.5K |
| Voice coil diameter | in | 75.5/3 |
| Material | | Ferrite |



Model : P75F

| | | |
|------------------------|--------|--------------|
| Nominal diameter | inch | 38/1.5 |
| Power handing capacity | W(RMS) | 70 |
| Program power | Watts | 140 |
| Nominal impedance | Ohm | 8 |
| Sensitivity (1W/1m) | dB | 110 |
| Frequency range | Hz | 700-19K |
| Voice coil diameter | in | 74.5/3 |
| Material | | Ferrite |
| Timbre material | | Peptide film |



(c) EASERA

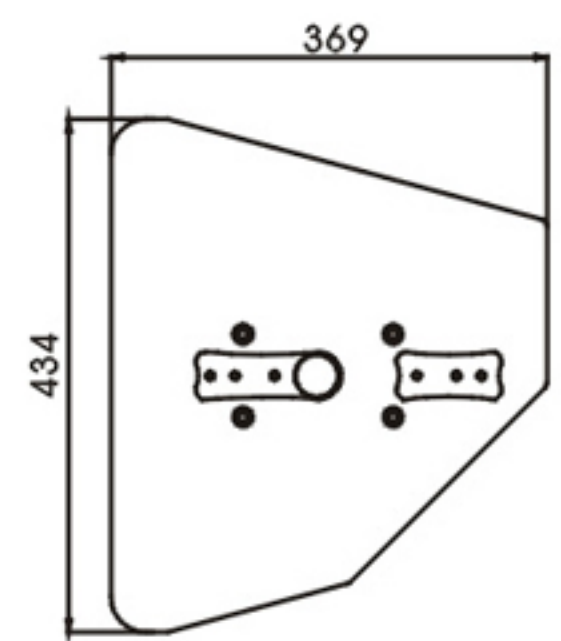
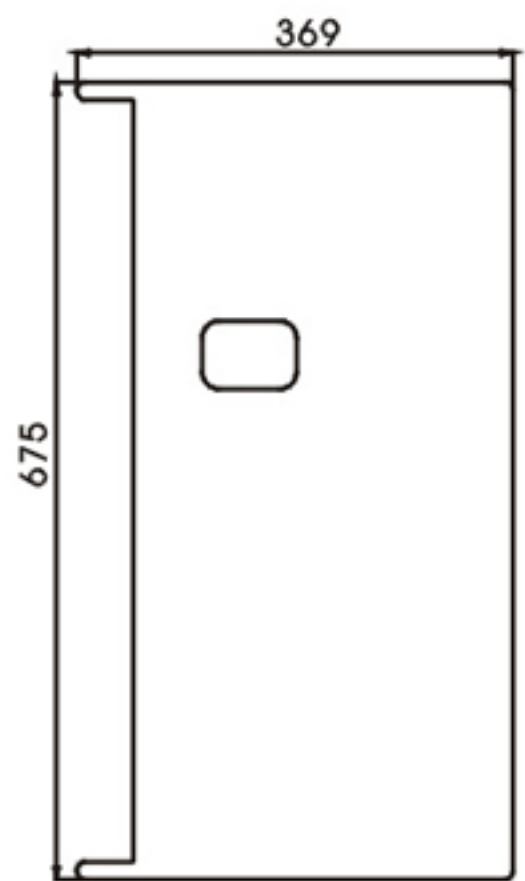
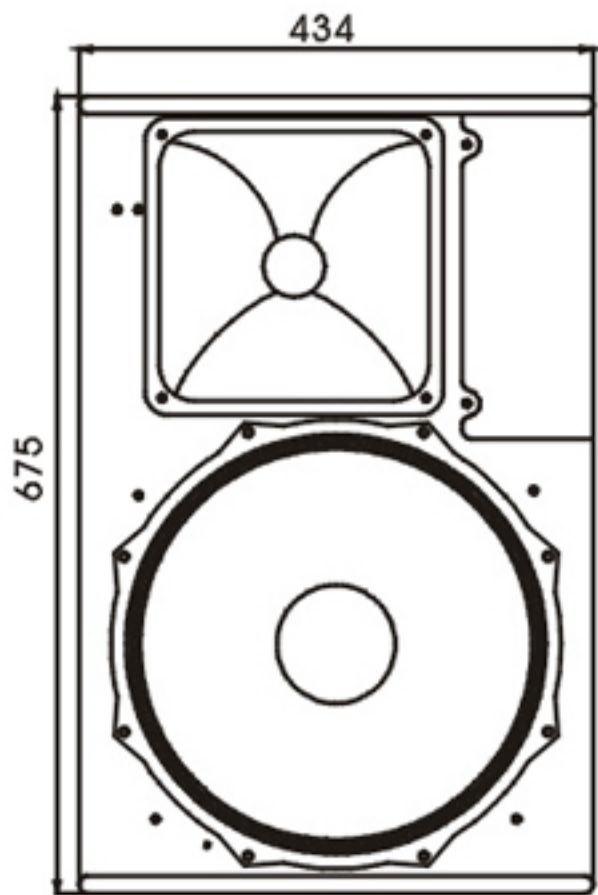
Products
Image 4 of 5

CLOS

Loop Thru, Active In

喇叭配置





Loop Thru, Active In

