



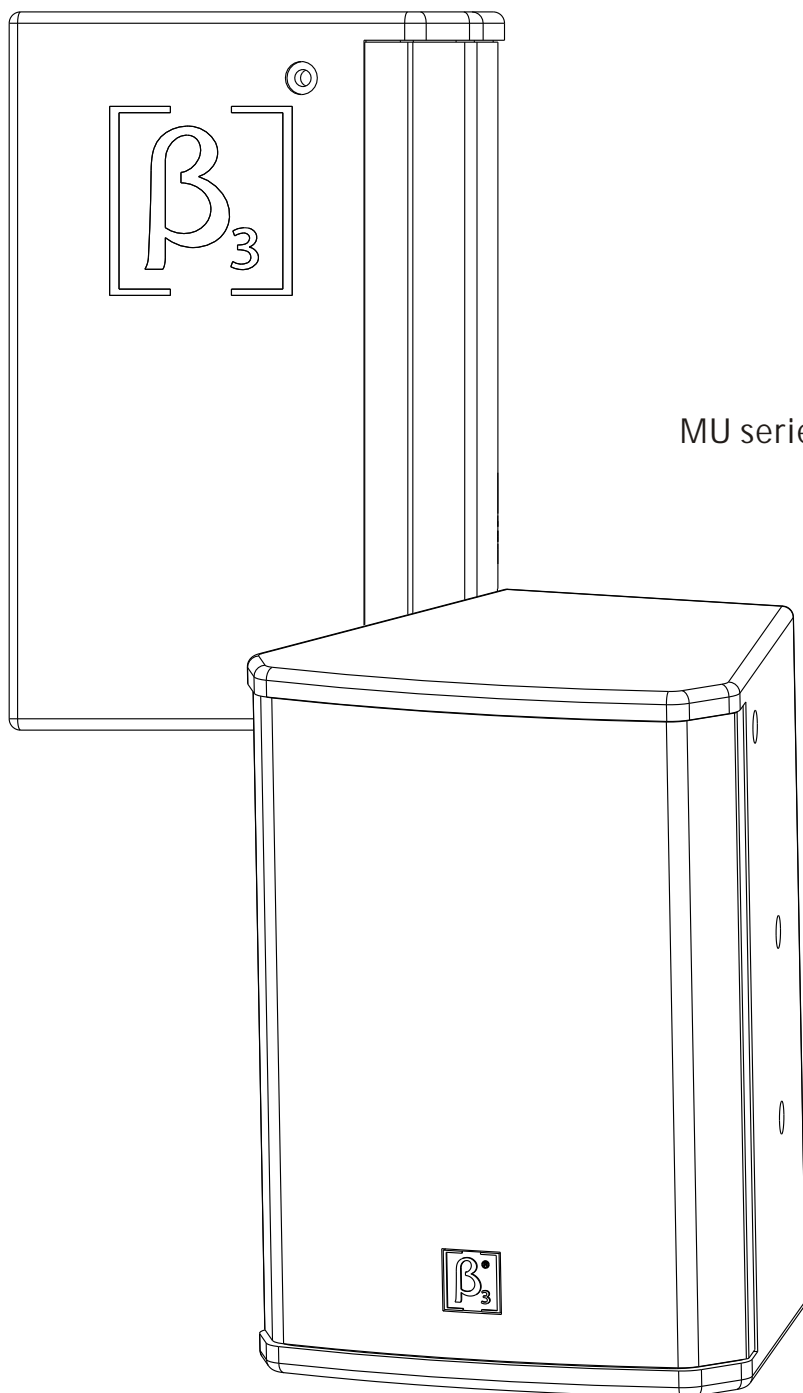
Beta Three

MU8

Two way full range passive speaker

MU series professional loudspeaker system

User Manual








UM-MU8-20090430 ver A



SAFETY INSTRUCTIONS


PLEASE READ THIS MANUAL FIRST

Thanks for buying β_3 products. Read this manual first as it will help you operate the system properly. Please keep this manual for future reference.





-  **WARNING:** *This product must be installed by professionals. When using the hanging and rigging parts that are not appointed, please ensure the intensity of the structure comply with the local safety criterion.*
-  **WARNING:** *To reduce the risk of fire or electric shock, do not expose this apparatus to rain or moisture.*
-  **WARNING:** *To reduce the risk of electric shock, only qualified professionals can remove the cover of this system.*

	CAUTION RISK OF ELECTRICAL SHOCK DO NOT OPEN	
CAUTION: TO REDUCE THE RISK OF ELECTRIC SHOCK, DO NOT REMOVE COVER (OR BACK). NO USER-SERVICABLE PARTS INSIDE. REFER SERVICING TO QUALIFIED PERSONNEL.		

	AVIS RISQUE DE CHOC ÉLECTRIQUE NE PAS OUVRIR	
ATTENTION : POUR RÉDUIRE LE RISQUE DE DÉCHARGE ÉLECTRIQUE, NE RETIREZ PAS LE COUVERCLE (OU L'ARRIÈRE). IL NE SE TROUVE À L'INTÉRIEUR AUCUNE PIÈCE POUVANT ÊTRE RÉPARÉE PAR L'USAGER. S'ADRESSER À UN RÉPARATEUR COMPÉTENT.		

 **The lightning flash & arrowhead symbol within an equilateral triangle is intended to alert you that this part is not dielectric, and may cause the hazard of electric shock.**

 **The exclamation point within an equilateral triangle is intended to alert you to the presence of important operating and servicing instructions.**

-  **ATTENTION:** *This system must be connected to the output socket with grounded thread.*
-  **ATTENTION:** *Don't refit the system or spare parts without being authorized as this will cause the hidden trouble.*
-  **WARNING:** *Don't lay the fire source (such as litten candle) above the equipment.*
-  **ATTENTION:** *Please operate cautiously even when the main socket or the coupling apparatus is used as disconnection equipment.*

1. Read this instruction first before using this product.
2. Please keep this manual for future reference
3. Pay attention to all warnings.
4. Obey all operating instructions.
5. Do not expose this product to rain or moisture.
6. Smear this equipment with dry cloth.
7. Do not block any ventilation openings. Install according to instructions of the manufacturer.
8. Do not install this product near any heat source, such as caliduct, heater, burner, or any other equipment with heat radiation (include amplifier).
9. Do not destroy the safety settings of the polarity or grounded connector. If the connector provided can't be plugged into the socket, please ask for the electrician to change the socket.
10. Avoid the thread (especially the connector, socket, and the parts outside the body) to be under kick or heavily hustled.
11. Only use spare parts appointed by manufacturer.
12. Please only use cart, stand, tripod, bracket and table that are appointed by manufacturer or sold together with the apparatus. Please avoid overturn the cart or apparatus when push.
13. In the event of lighting flash or nonuse for a long period, please put off the power supply and pull out the cord to avoid unexpected dangers.
14. When the apparatus damages in the case of the power cord or connector damages, liquids spill into the inside of the product or objects fall into, exposure to rain or moisture, apparatus are out of work or breaks, please ask for the help from the professionals.
15. To avoid hazard of fire or electric shock, please avoid socket, extend thread, and power supply been overloaded.
16. Take care that objects do not fall into and that liquids are not spilled into the inside of the product as this will cause hazard of fire or electric shock.
17. Pay attention to the safety symbol in the outer side of the cover.
18. Only plug the connector in proper power supply of which the voltage complies with this equipment. Please follow the operating instruction or symbol.
19. This equipment must be protected from the spill or insufflations of liquid. Do not lay objects filled with liquid (such as vase) above this equipment.

CONTENT

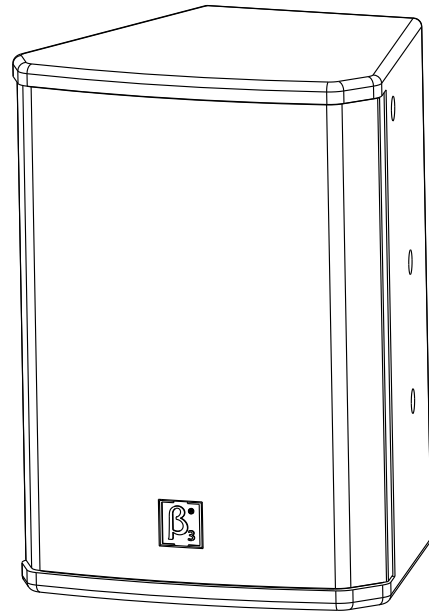
INTRODUCTION	3
Features	3
Description	3
Applications	3
CONNECTION	4
Terminal Plate	4
NL4 Connection	4
System Connection Reference	4
Loudspeaker Connection	5
INSTALLATION	6
Installation Accessories	6
Installation Reference	6
TECHNICAL SPECIFICATION	7
Technical Sheet	7
Frequency Response And Impedance Curve	7
2D Dimension	8

MU8

Two way full range passive speaker

Features

- Two way full range phase inverted speaker, which adopt Coaxial transducer with 8" LF part and 1.4" HF part
- Single Neodymium magnet design on the coaxial transducer
- Dispersion is 90°X90°.
- Advanced crossover design make sure the reliability of tweeter.
- Sensitivity is 94dB, Max is SPL 115dB.
- RMS power is 150W, ispeak power 600W.
- Support flange, three mounting points.
- Powder coated grille can be used outdoors for 5 years. The foam backside of the grille can prevent the rain.
- Advanced paint materials and advanced painting technology make the surface very rigid.
- The sound is very clean, powerful and stretchy.



Description

β 3[®] MU8 is a very compact design active speaker integrated the coaxial transducer. It consists of one 8" Neodymium woofer with 34MM voice coil and one 1.4" compression driver. The rated power is 150W. Symmetrical magnet circuit design reduce the impar HD effectively and enhance the LF sound quality.

Cabinet is made of 15mm birch plywood with advanced environmental protection.

Polyurethane-based painting which is very rigid. The cabinet strength reach to 4500N.

Q235 grille is coated by powder to provide strong ultra-Weatherability, can be used outdoors for 5 years. The backside foam of grille can prevent the rain.

MU8 adopts the built-in crossover and single channel amplifier module.

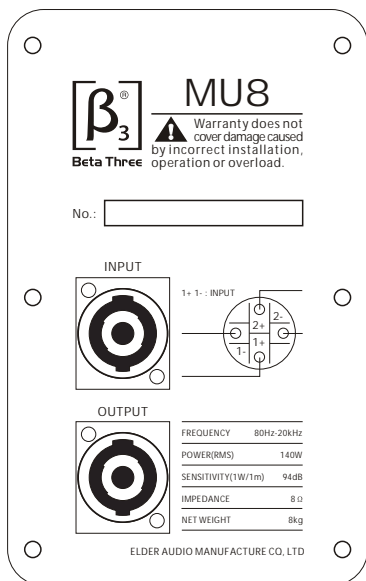
MU8 is mainly designed for conference room, multifunctional hall, auditorium, church, living performance. It can be used separately, or can be used with MU12B together.

Applications

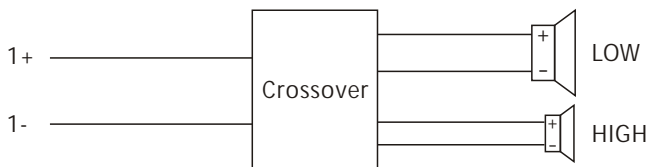
- multifunctional hall
- small hall
- Church
- conference room
- background music

Two NL4 connectors are available for amplifier connections. Paralleled connector is very convenient for another speaker connection.

Terminal Plate

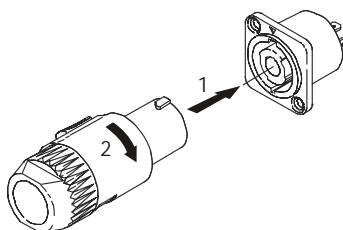


1+ 1- INPUT

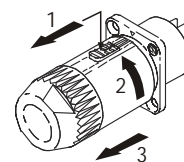


NL4 Connection

1. Connect

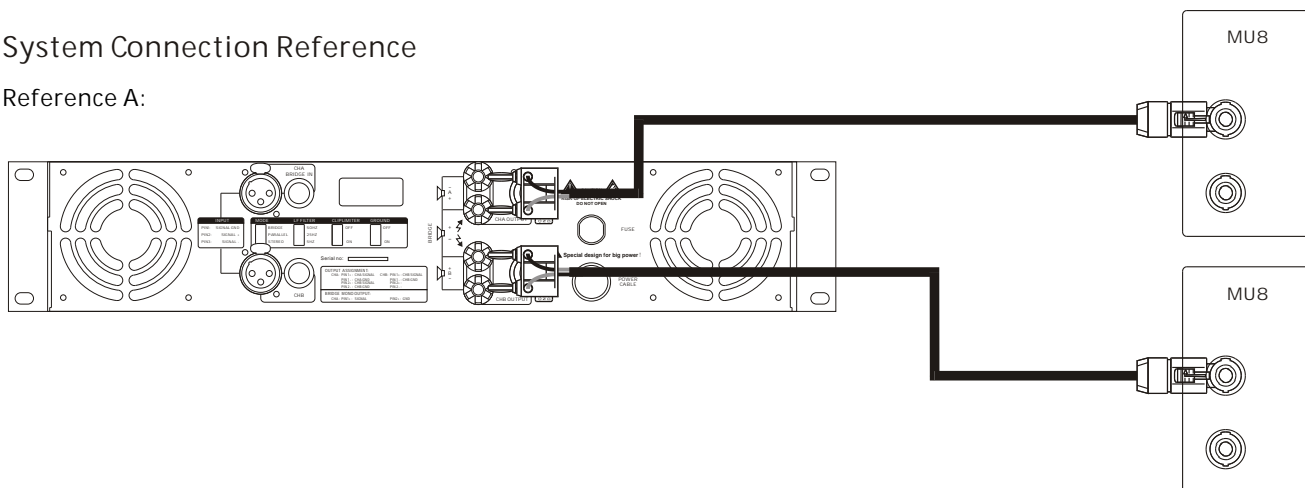


2. Disconnect

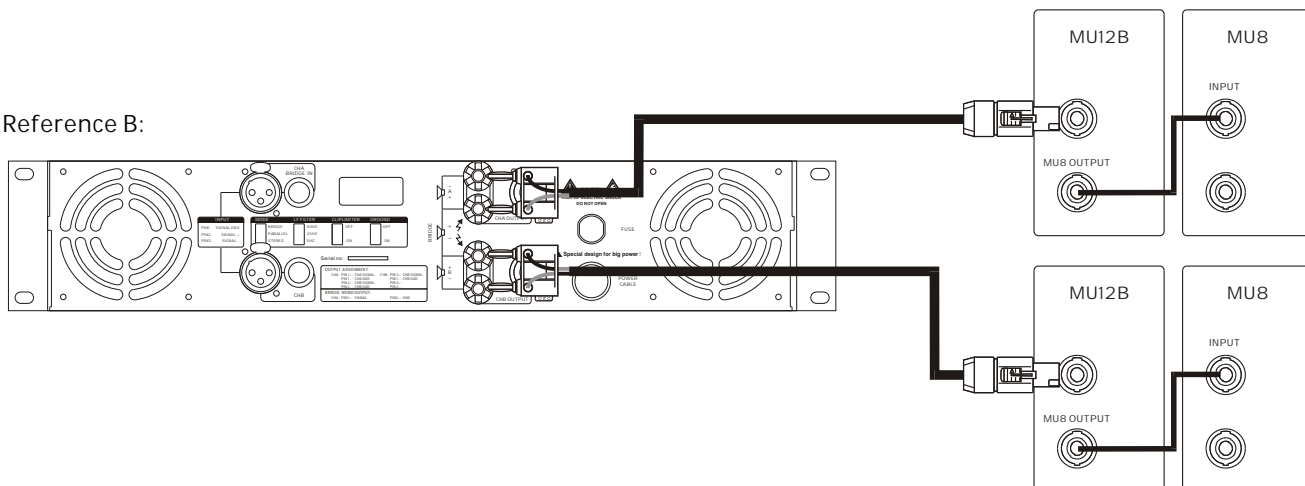


System Connection Reference

Reference A:



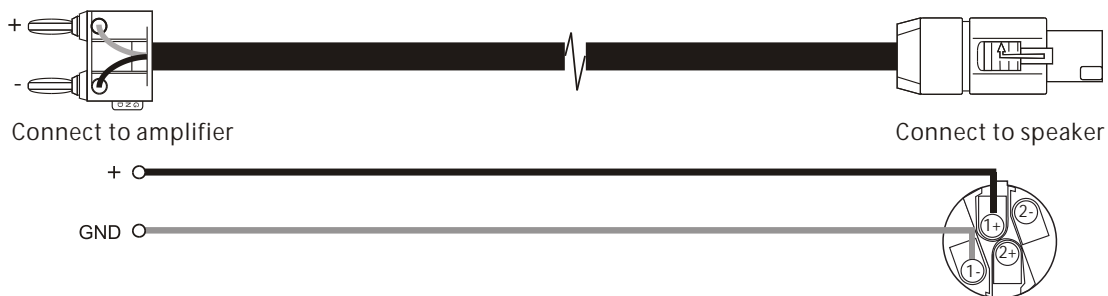
Reference B:



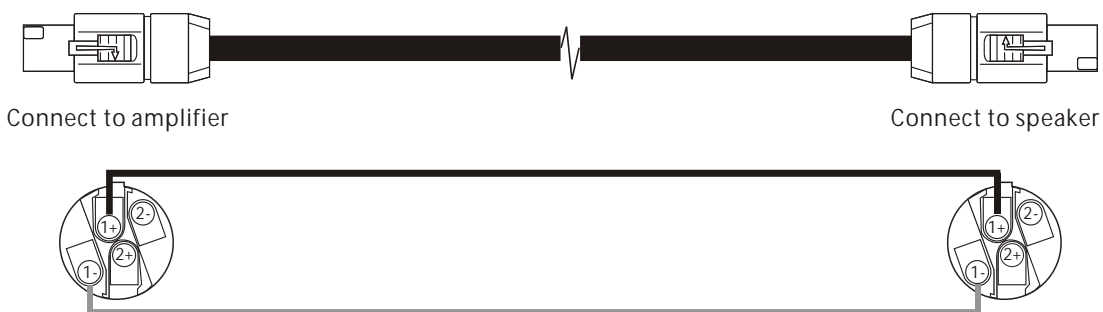
- Attention:** The impedance of connected speaker must match the impedance of amplifier output.
- Attention:** Make sure the polarity of speaker and amplifier correctly.

Speaker Wiring

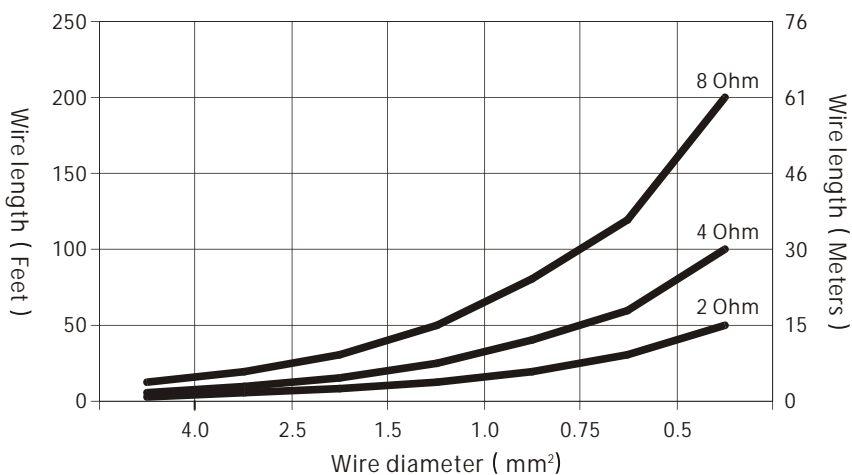
1. Banana plugs to NL4



2. NL4 to NL4



3. Consumption curve of connection cable(Only for reference,the result is different if adopting the different cables)



Installation Accessories

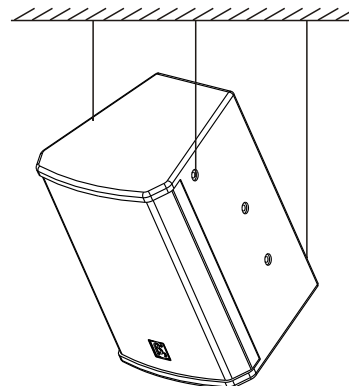
Support flange and three special mounting points are very convenient for the different applications.

1. Speaker stand

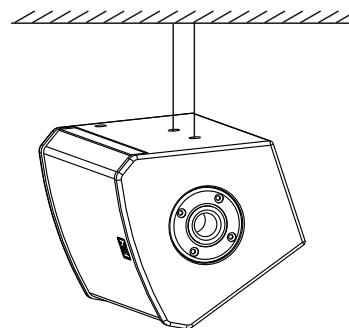


Installation Reference

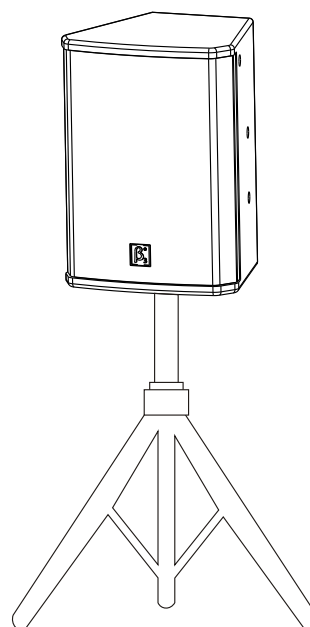
1. Reference A



2. Reference B



3. Reference C



⚠ Warning: Make sure the mounting accessories safety factor not less than 5:1 or meet the local standard during installation.

Specification

System:	Full range passive speaker
Tweeter:	1X1.4" compression driver
Woofer:	1X8" woofer
Frequency response(-3dB) ¹ :	80Hz-20kHz
Frequency response(-10dB):	70Hz-20kHz
Sensitivity(1W@1m) ² :	94dB
Max.SPL(1m) ³ :	115dB/121dB(PEAK)
Power:	140W (RMS) ⁴ 280W (MUSIC) 560W (PEAK)
Dispersion (H × V) :	90° × 90°
Rated impedance:	8 ohms
Crossover point:	1.5kHz
Cabinet:	Wedge shape
Installation:	support flange, three mounting points
Handle:	2×Wooden handle
Surface:	Polyurethane-based painting. Steel grille is coated by powder to provide strong ultra-Weatherability.
Connector:	NL4×2
Cabinet dimension:	280×262×380mm (W×D×H) (11.0×10.3×15.0in)
Package dimension:	340×320×460mm (W×D×H) (13.4×15.6×18.1in)
N.W.(Pcs):	8kg(17.6 lb)
G.W.(Pcs):	9kg(19.8 lb)
Optional accessory:	speaker stand

Speaker Testing Method

1. Frequency response

Use Pink noise to test the speaker in the anechoic room, adjust the level to make the speaker work at its rated impedance and the power output is 1W, then test the frequency response 1m away from the speaker.

2. Sensitivity

Use full range Pink noise which was modified by EQ curve to test the speaker in the anechoic room, enlarge the signal to make the speaker work at its rated impedance and the power output is 1W, then test the sensitivity 1m away from the speaker.

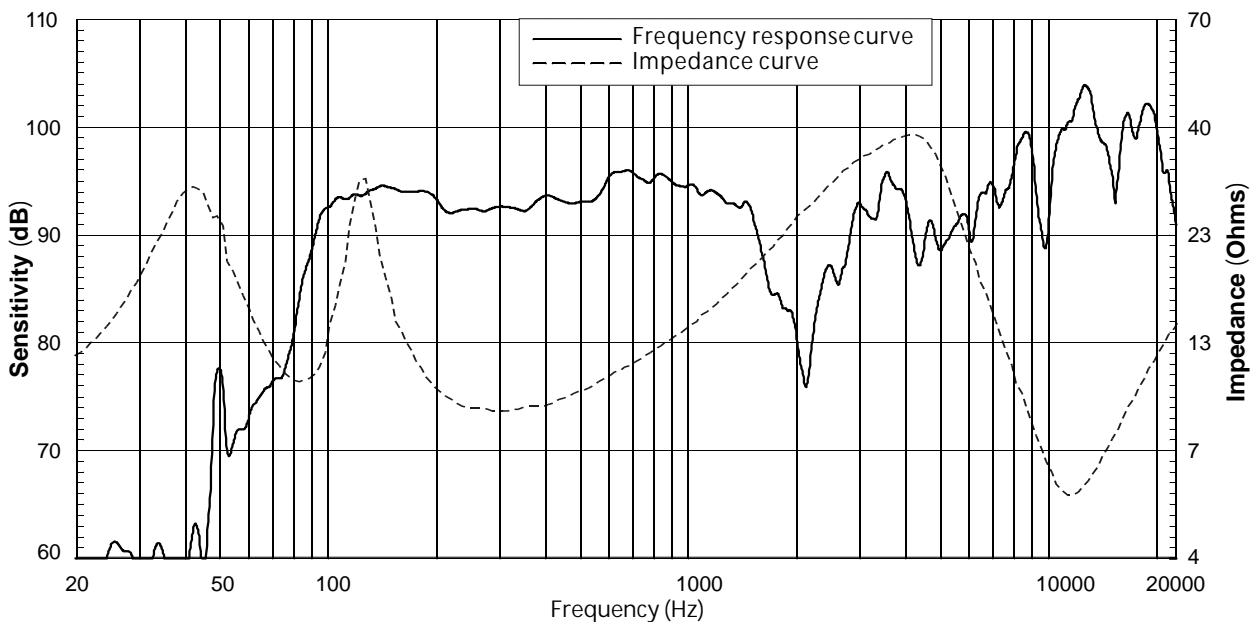
3. MAX.SPL

Use full range Pink noise which was modified by EQ curve to test the speaker in the anechoic room, enlarge the signal to make the speaker work at its instant power output level, then test the SPL 1m away from the speaker.

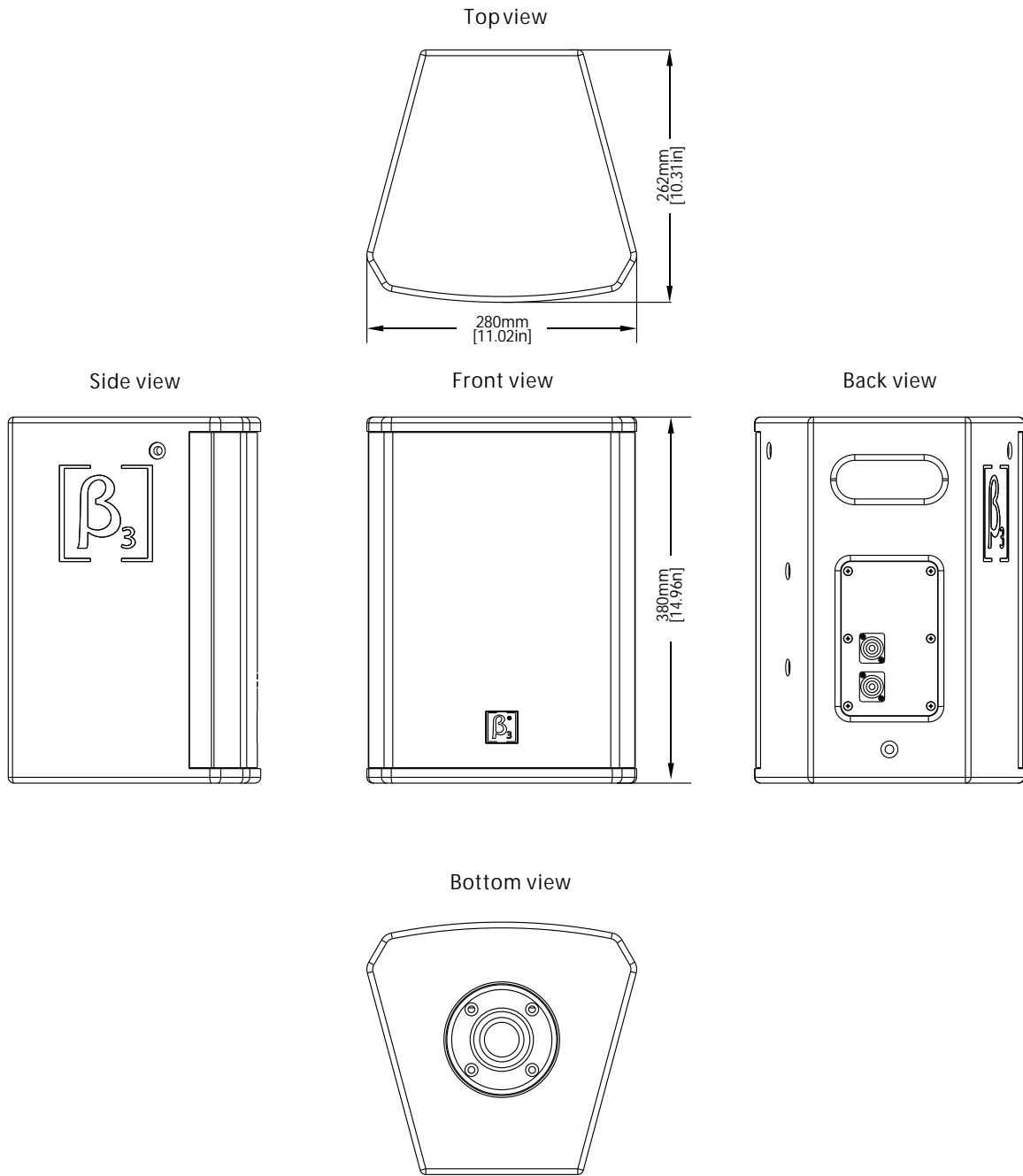
4. Rated Power

Use the pink noise according to IEC#268-5 to test the speaker, enlarge the signal for continuous 100hours, the rated Power is the power when the speaker will not incur hot damage or mechanics damage.

Frequency response curve & Impedance curve



2D Dimension



Notes:



Beta Three